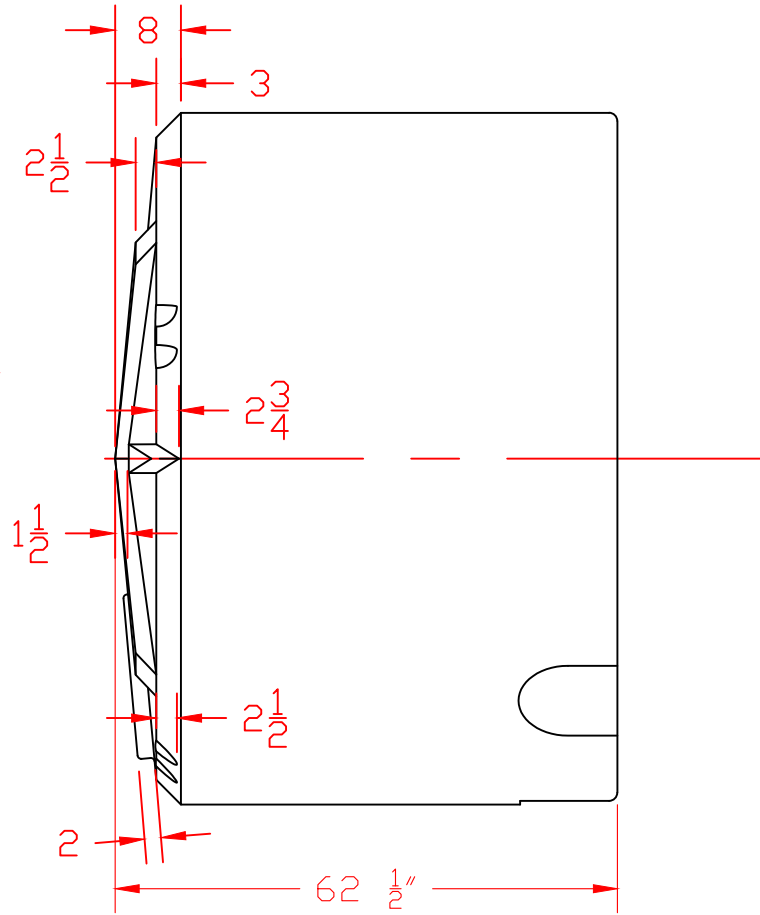
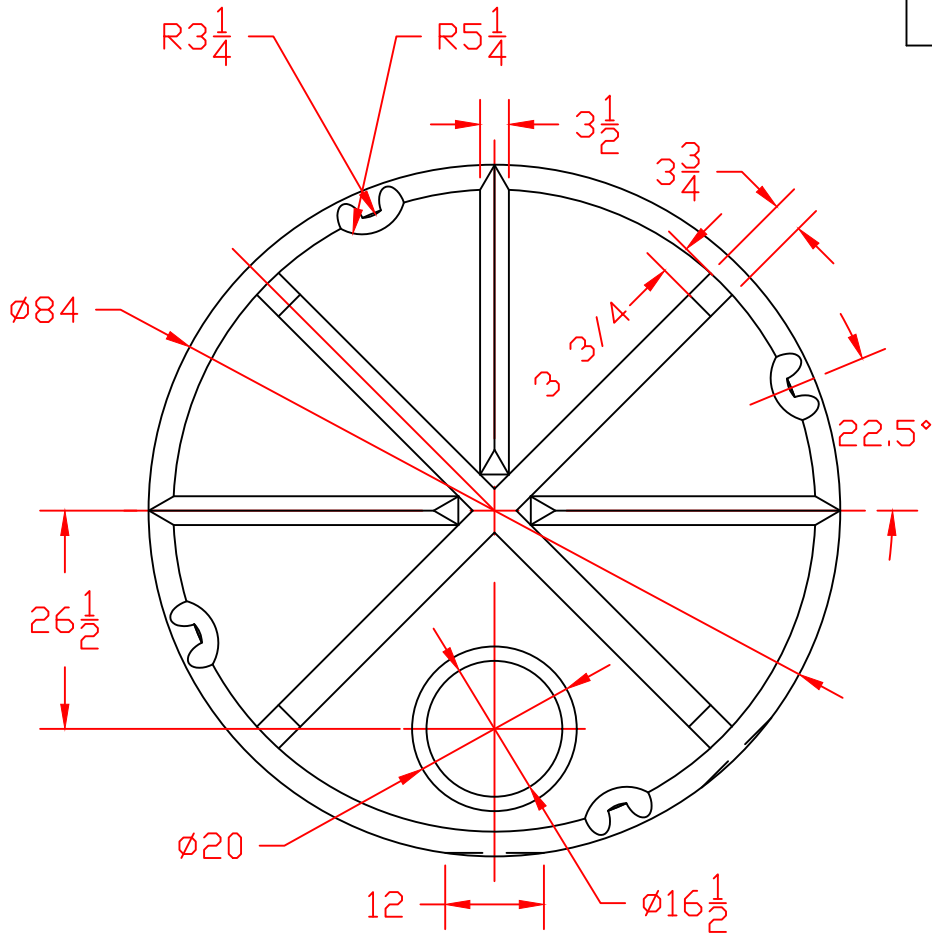


REVISIONS				
ZONE	REV	DESCRIPTION	DATE	APPROVED



**NORWESCO**  
ST. BONIFACIUS, MN

1295 GALLON VERTICAL TANK

JTP 26SEP17

SIZE  
A

FSCM NO.

DWG NO.

REV

SCALE 1/24

SHEET